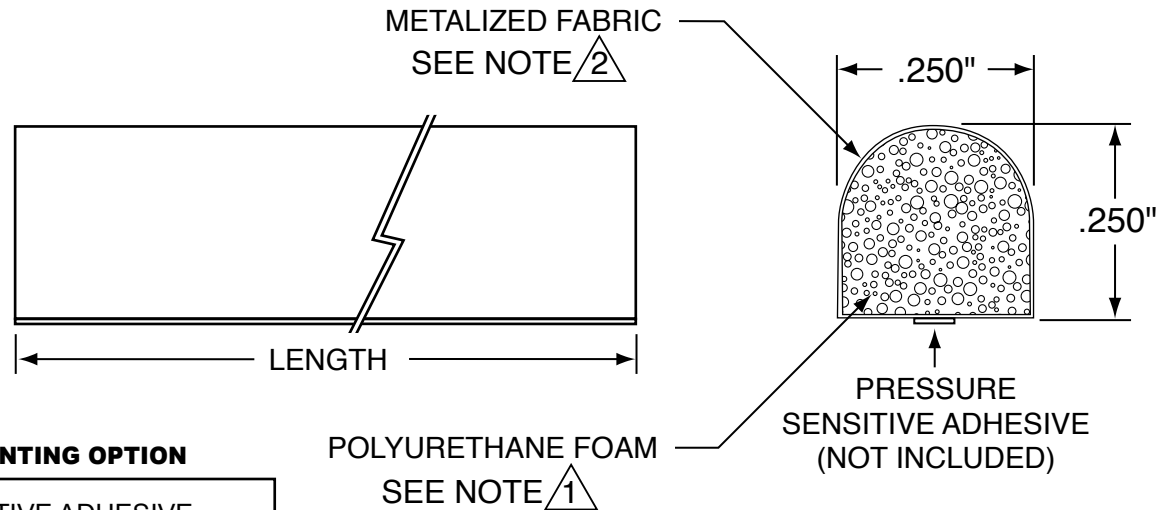


**FILL IN SHADED AREAS TO COMPLETE THE PART DESCRIPTION**



**SELECT ADHESIVE MOUNTING OPTION**

WITH PRESSURE SENSITIVE ADHESIVE.  
WITHOUT PRESSURE SENSITIVE ADHESIVE.

**FILL IN LENGTH IN INCHES BELOW**

Fill in length to two decimals (LL.LL). Maximum 84.00 inches.

**TECH-ETCH MANUFACTURING PART NUMBER**

2431 - 101 - 0127 -  
(PROFILE) - (LENGTH)

NOTES:

- 1 OPEN-CELLED POLYURETHANE FOAM CORE.
- 2 NICKEL PLATING OVER COPPER SUBSTRATE FABRIC.
- 3. COMPRESSION SET (ASTM D3574) 2.6%.
- 4. FLAMMABILITY RATING UL 94 V-RATED.
- 5. COMPRESSION DEFLECTION (ASTM D3574) 1.47 PSI.
- 6. SURFACE RESISTIVITY (ASTM F390) <.02 OHMS.
- 7. SERVICE TEMPERATURE -40°F TO 194°F (-40°C TO 90°C).
- 8. UNLESS OTHERWISE SPECIFIED DIMENSIONS ARE IN INCHES.

UNLESS OTHERWISE SPECIFIED ALL TOLERANCES TO BE:  
HEIGHT & WIDTH  
<.100 ±.02  
>.100 ±.03  
LENGTH  
1 TO 6 ±.03  
6 TO 11 ±.05  
11 TO 24 ±.15  
24+ +1/-.25

**Tech-Etch**

45 Aldrin Road, Plymouth, MA 02360  
TEL 508-747-0300 • FAX 508-746-9639  
sales@tech-etch.com • www.tech-etch.com

SCALE:  
400%

CATALOG PROFILE:  
2431 - 101 - 0127

DATE:  
5-1-12

PART NAME:  
D Metalized Fabric Gasket

CUSTOMER PART NUMBER: