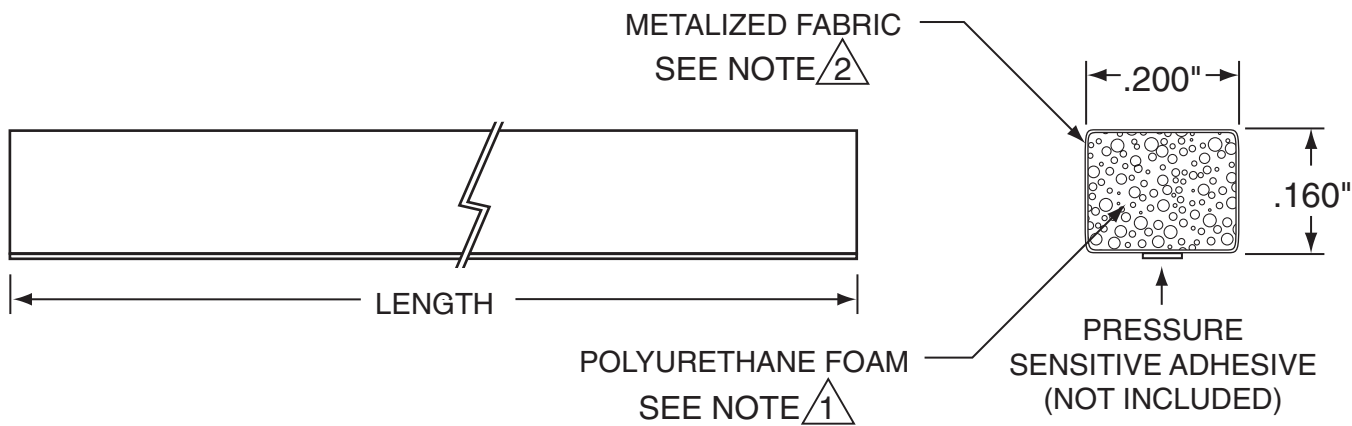


**FILL IN SHADED AREAS TO COMPLETE THE PART DESCRIPTION**



**SELECT ADHESIVE MOUNTING OPTION**

WITH PRESSURE SENSITIVE ADHESIVE. WITHOUT PRESSURE SENSITIVE ADHESIVE.
---

**FILL IN LENGTH IN INCHES BELOW**


Fill in length to two decimals (LL.LL). Maximum 84.00 inches.

**TECH-ETCH MANUFACTURING PART NUMBER**

2411 - 101 - 0167 - (PROFILE) - (LENGTH)
---

**NOTES:**

- 1 OPEN-CELLED POLYURETHANE FOAM CORE.
- 2 NICKEL PLATING OVER COPPER SUBSTRATE FABRIC.
- 3. COMPRESSION SET (ASTM D3574) 2.6%.
- 4. FLAMMABILITY RATING UL 94 V-RATED.
- 5. COMPRESSION DEFLECTION (ASTM D3574) 1.47 PSI.
- 6. SURFACE RESISTIVITY (ASTM F390) <.02 OHMS.
- 7. SERVICE TEMPERATURE -40°F TO 1JI °F (-40°C TO J0°C).
- 8. UNLESS OTHERWISE SPECIFIED DIMENSIONS ARE IN INCHES.

UNLESS OTHERWISE SPECIFIED ALL TOLERANCES TO BE: HEIGHT & WIDTH <.100 ±.02 >.100 ±.03 LENGTH 1 TO 6 ±.03 6 TO 11 ±.05 11 TO 24 ±.15 24+ +1/-.25	  45 Aldrin Road, Plymouth, MA 02360 TEL 508-747-0300 • FAX 508-746-9639 sales@tech-etch.com • www.tech-etch.com
SCALE: 400%	CATALOG PROFILE: 2411 - 101 - 0167
DATE: 11/15/03	PART NAME: Rectangular Metalized Fabric Gasket
CUSTOMER PART NUMBER:	