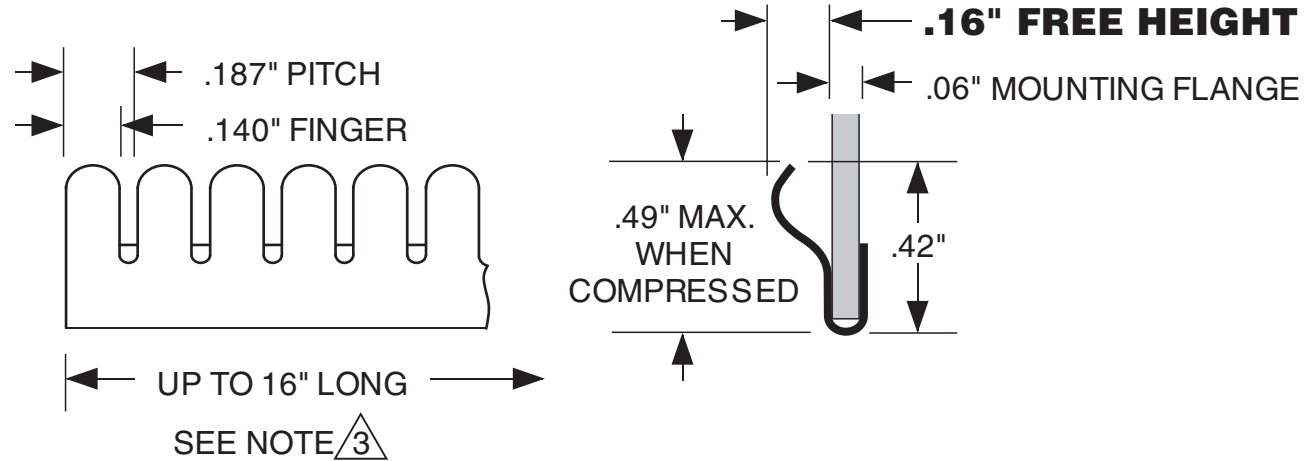


FINISH CODES

FILL IN SHADED AREAS TO COMPLETE THE PART DESCRIPTION



TECH-ETCH MANUFACTURING PART NUMBER

| | | |
|--|-----------------------|----------------|
| 187RF4C070 | - | - |
| (PROFILE) | (LENGTH) | (FINISH) |
| CHOOSE | STANDARD THICKNESS OR | "TF" THICKNESS |
| LENGTH CALCULATOR FOR PART NUMBER ABOVE | | |
| CLICK HERE FOR STOCK LENGTH, OR ENTER NUMBER OF FINGERS HERE: | | |

NOTES:

1. MATERIAL ~~Al~~ ~~303~~ ~~SS~~ Cu, C17200 HARDENED.
2. FINISH: AS SPECIFIED - SEE TOP LEFT.
3. STRIPS MAY BE SUPPLIED CUT TO ANY FULL FINGER INCREMENT. ALLOWED LENGTHS = NUMBER OF FINGERS MINUS SLOT WIDTH.
4. UNLESS OTHERWISE SPECIFIED DIMENSIONS ARE IN INCHES.

UNLESS OTHERWISE SPECIFIED ALL TOLERANCES TO BE:

- .XX ±.02
- .XXX ±.005
- .X ±.005/in.

Tech-Etch

45 Aldrin Road, Plymouth, MA 02360
 TEL 508-747-0300 • FAX 508-746-9639
 sales@tech-etch.com • www.tech-etch.com

SCALE:

200%

CATALOG PROFILE:

187RF4C070

DATE:

5/1/03

PART NAME:

Clip-on Cylindrical Radius

CUSTOMER PART NUMBER: